

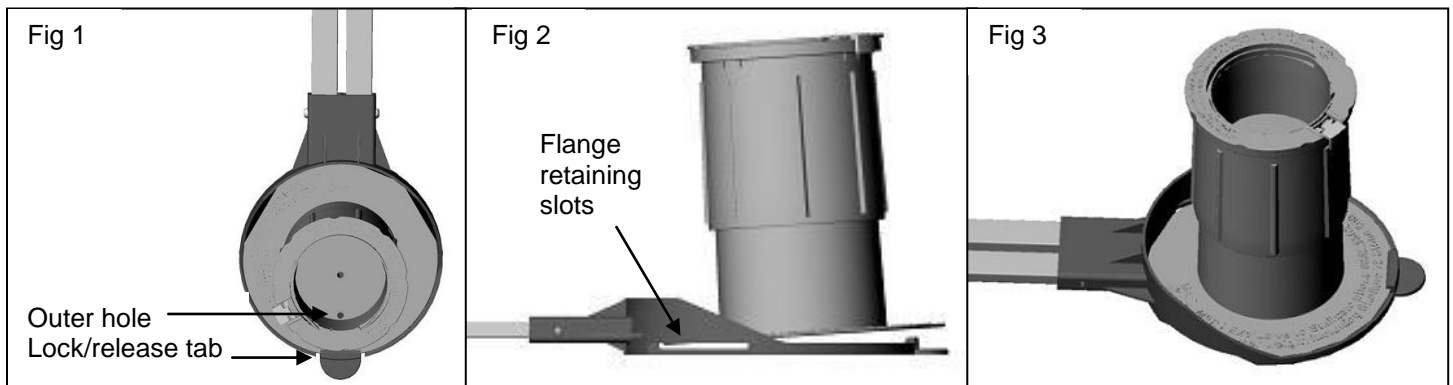
## User Instructions

### Link Arm Assembly Overview

The Medeci Link Arm assembly has been developed in conjunction with the Medeci Furniture Raisers (MFR1) and Clip & Stack Furniture Raisers (CFR2), to provide a versatile furniture raising solution.

The Link Arm assembly comes supplied as two pairs of linked holders, connected by a 40cm stretcher bar. In this configuration the Link Arm assembly can be used with the MFR1 and CFR2 for chairs and armchairs.

The stretcher bar can be removed, to create pairs of raisers, which can be used to raise settees. Additional 40cm and 100cm stretcher bars are available for cross-linking the pairs of raisers on larger items of furniture.

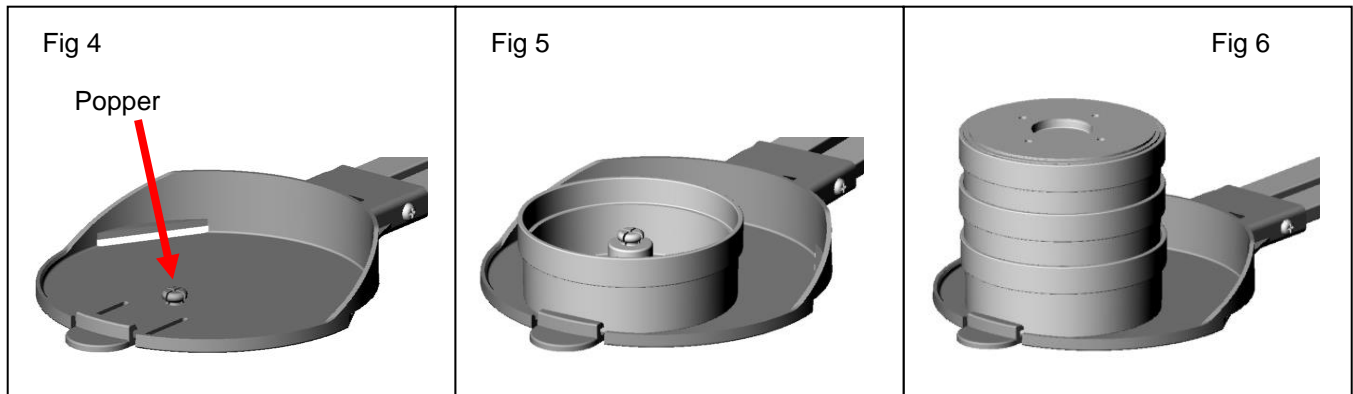


### Instructions for use with MFR1 Furniture raisers

1. Set all the Medeci Furniture Raisers (MFR1) to the required height.
2. Offer the base flange of an MFR1 to the holder on the Link Arm assembly, making sure the outside hole in the base of the MFR1 is aligned with the lock/release tab of the holder (see fig 1).
3. Enter the base flange of the MFR1 in to the flange retaining slots on the base holder and clip the flange under the lock/release tab (see fig 2 and fig 3).
4. Repeat steps 1 to 3 for the remaining MFR1s
5. Loosen the wingnuts on the linking arms and adjust the positions of the MFR1s so that they are approximately in the correct places to receive the bed/chair legs or castor adaptors.
6. Once the furniture legs or castor adaptors have been lowered into the MFR1s, tighten the securing ties on all MFR1s.
7. Reduce the footprint size of the raisers as much as possible so that they give a firm fitting. Check that none of the components protrude from the side of the furniture, to avoid a trip hazard. Now tighten the wingnuts to secure the linking arms.
8. Before use, ensure the furniture is stable on the raisers.

**DO NOT MOVE OCCUPIED FURNITURE**

## User Instructions



### Instructions for use with CFR2 Furniture raisers

- 1 Raise the chair in accordance with instructions for CFR2
- 2 After checking that raised height is correct, loosen the wingnuts of the Link Arm assembly and slide them under the chair so that it lies under the raised chair from side to side.
- 3 Raise the rear of the chair with the Medeci Furniture Jack (or similar), and then lift the appropriate arm of the Link Arms and clip the popper (Fig 4) of the base plate on to the base of the first CFR2 stack.
- 4 Repeat with the other stack.
- 5 Lower the rear of the chair and raise at the front.
- 6 Repeat steps 3 and 4 for the front stacks.
- 7 Lower the chair to the floor, arrange the Link Arm assembly so that the stretcher bar lies neatly under the chair base from side to side, and does not present a trip hazard, then tighten the wing-nuts.
- 8 Before use, ensure that the furniture is stable on the raisers.

#### Note:

The rubber overboots supplied with the CFR2 should not be used with the MLA1/U.

### **DO NOT MOVE OCCUPIED FURNITURE**

#### Specification

Configuration	Minimum Size (approx)	Maximum Size (approx)
MLA1/U including 40cm Stretcher Bar	40cm x 40cm	100cm x 70cm
MLA1/U with 1m Stretcher Bar	100cm x 40cm	160cm x 70cm
Pairs of Raisers without Stretcher Bar	62cm (straight line)	96cm
Pairs of Raisers with 40cm Stretcher Bar		134cm
Pairs of Raisers with 100cm Stretcher Bar		194cm

Warranted to specification for three years  
Pat. No. GB0922307



SmitCare, 14 Camberley Business Centre, Bracebridge, Camberley, Surrey, GU15 3DP. Tel: 01276 677888 Fax: 01276 691565  
E-mail: [sales@smitcare.co.uk](mailto:sales@smitcare.co.uk) Website: [www.smitcare.co.uk](http://www.smitcare.co.uk)