

Medeci Ultra Bathseat

User Instructions

Products covered: MUBS6 Medeci Ultra Bathseat 6"
 MUBS8 Medeci Ultra Bathseat 8"
 MUBS12 Medeci Ultra Bathseat 12"

Weight Rating
190 KG
30 STONE

Medeci Ultra Bath Seat Overview

The Medeci Ultra Bathseat is made in heights of 6", 8" and 12" (15cm, 20cm & 30cm). The Medeci Ultra Bathseat benefits from four strong suckers to adhere to the bath and a width adjustable seat that secures against the walls of the bath for added stability. A risk assessment must be carried out as to the suitability of this product. These instructions must be left with the user.

Important Note

The product is intended for one-time assembly and should not be disassembled. Ensure the product is the correct height for your requirements before assembly.

Assembling the Medeci Ultra Bathseat.

1. Remove the parts from the packing and check that you have (Fig A) :-
 1 seat assembly (item 1)
 1 base assembly (item 2)
 4 legs (item 3)
2. Place the seat assembly on a flat horizontal surface with the seating surface facing down.
3. Take one leg and place it in the receiving location on the seat assembly. Note that the leg is of a D shape and the leg must be rotated such that the D shape of the leg lines up with the D shape of the seat assembly.
4. Apply downward pressure and the leg will move down into its locked position. Repeat this procedure for the other three legs.
5. Take the base assembly with the suckers facing upwards place it on top of the four legs, aligning the legs with the corresponding receiving holes. Apply downward pressure to the base assembly until the legs lock into position.
6. The Medeci Ultra Bathseat is now ready to fit in a bath. (Fig B)

Fig A

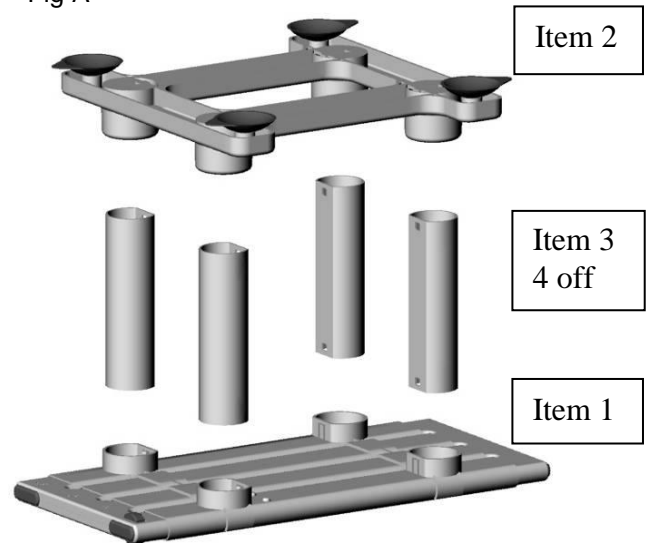
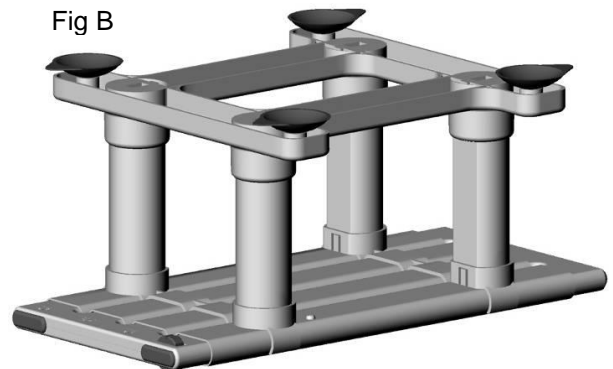


Fig B



To fit the Bath Seat in the Bath

Ensure that the bath is clean, dry and free of soap and oil, so that the suckers have good adhesion. Place the seat centrally (Fig C) in the bath at the required position, then push down firmly so that the suckers stick to the bottom of the bath. The Bathseat must be held securely in place by all four suckers and be stable. Rotate the seat width adjuster until it makes contact with both sides of the bath. Ensure that the stabilisers contact a relatively flat and vertical part of the side of the bath. If there is any doubt about the stability of the product, do not use it and seek further advice. The seat must be checked for wear, damage and safe fitting each time it is used.

Fig C



Seat width
adjuster

Removal of Bath Seat from Bath

Reduce the seat width until it is not in contact with the bath by rotating the seat width adjuster, then pull the tabs on the suckers to release them from the bath and lift the seat away.

Care of the Bath Seat

The Medeci Ultra Bathseats can be pressure washed for three minutes at 80°C.

The Medeci Ultra Bathseats can be cleaned with non-abrasive cleaners.

The Medeci Ultra Bathseats can be immersed in a hot solution of antiseptic cleaners (max 80°C).

The seat must be checked for wear, damage and safe fitting each time it is used.

Do not clean with abrasive cleaners.

Do not store in direct sunlight.

Specification

Maximum user weight 190kg (30 stone)

Heights available 15, 20, 30 cm (6, 8, 12")

Seat size 48 x 22 cm (19 x 8.5") minimum to 64 x 22 cm (25 x 8.5") maximum

Footprint over suckers 333 x 317 mm (13 x 12.5")

Warranted to specification for 3 years

These instructions should be left with the user for reference

Manufactured in China for SmitCare

Patent GB1000514.8

ISO17966 Compliant



SmitCare, 14 Camberley Business Centre, Camberley, GU15 3DP
Tel: 01276 677888 sales@smitcare.co.uk www.smitcare.co.uk